



ZEECRANE 4500

ELECTRIC 4.5 TON
CARRYDECK CRANE

- ZERO EMISSIONS
- 4.5 TON CAPACITY
- QUIET OPERATION
- HEXAGONAL BOOM
- E-ZEE REEVE BLOCK
- 0°/25°/50° OFFSET JIB



Dimensions

Wheelbase:	78"	Deck height	34"
Overall length	166"	Outrigger width	91"
Overall height	78"	Ground clearance	8"
Overall width	61"	Base weight	7,996 lbs.
Body length	129"		

Driving

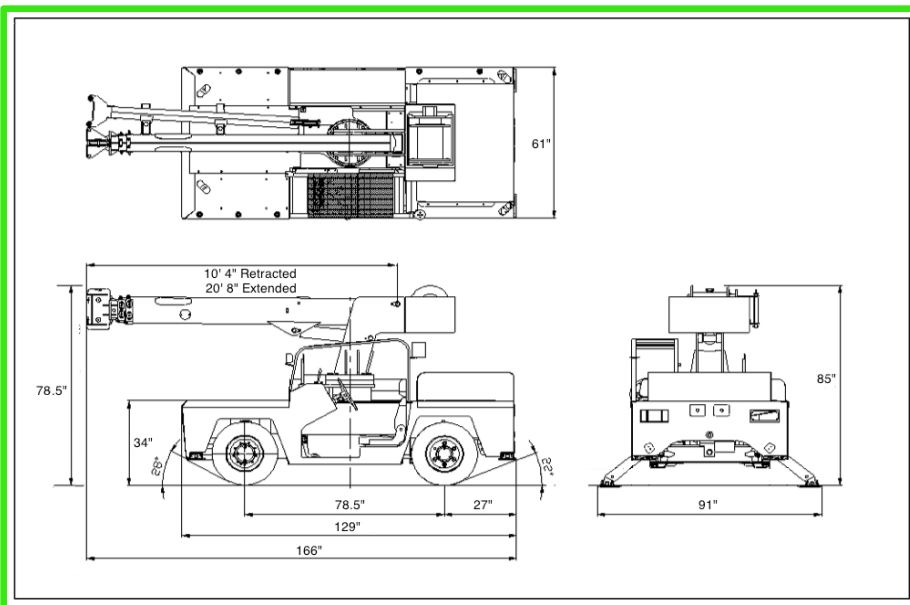
Travel speed	4.5 mph	Motors (dual)	Electric
Pick & carry speed	2 mph	Brakes	Automatic
Tire type	Solid 7.0 x 12	Duty cycle (typical)	8 hrs.
Front deck space	20 sq. ft.	Charging system	220VAC

Dimensions

Maximum lifting capacity	9,000 lbs.	Maximum side reach	28' 1"
Maximum sheave height	34' 3"	Offset jib 0°/25°/50°	7' 6"

Features

- | | |
|---|--------------------------------------|
| High efficiency all electric power system | Planetary winch |
| High torque drive motors | Rear view mirrors |
| Dual hydraulic pump motors | Work lights |
| Dash mounted power management display | Headlights, taillights, turn signals |
| Hexagonal self-centering boom | Corner lifting points |



Zero Emission Equipment, LLC
 14670 Randall Ave.
 Fontana, CA 92335
 (800) 698-8388
www.zeecrane.com
info@zeecrane.com



ZEECRANE 4500

LOAD CHART

		BOOM CONFIG		LOAD RADIUS FEET	MAIN BOOM CAPACITIES IN POUNDS			
					FRONT		360°	
					Rubber	Outriggers	Rubber	Outriggers
MAIN BOOM	3	6600	9000	5550	8400			
	4	6300	8600	4100	7650			
	5	5800	7600	3100	6600			
	6	5100	6650	2750	5700			
	8	4300	6050	2000	4200			
	10	3200	5350	1400	3000			
	12	2200	4850	1000	2200			
	14	1800	3800	750	1600			
	16	1450	2950	600	1300			
	18	1200	2350	450	1050			
20	1050	2000	350	900				
JIB BOOM	See Extension Jib Chart Below							

Extension Jib Chart - Main Boom / Outriggers Only / 360° Radius									
Main Boom Angle		70°	60°	50°	40°	30°	20°	10°	0°
Jib Offset	0°	2,700	2,000	1,250	900	700	600	550	500
	25°	2,000	1,450	1,100	850	650	550	0	0
	50°	1,500	1,450	1,050	750	650	0	0	0